



**\* IMPORTANT – PLEASE READ BEFORE INSTALLATION! \***

Before attempting to fit the DWSR102U, it is important to ensure the following information matches that of the door you wish to automate.

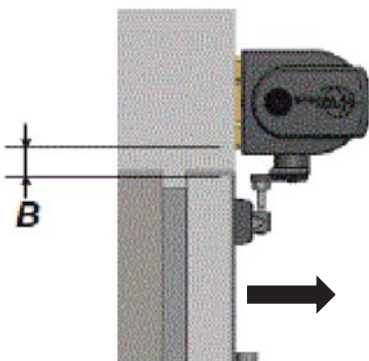
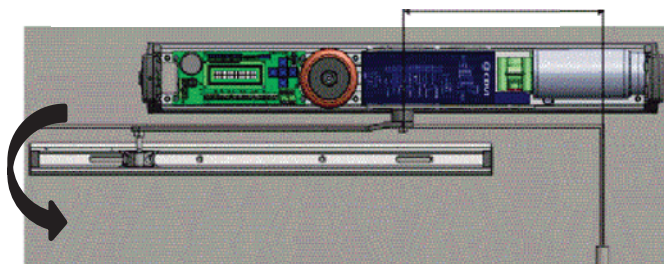
*JWS are always happy to check information/pictures of the door you wish to automate to check suitability of the operator.*

THE DOOR MUST BE LESS THAN 1.5m WIDE, UNDER 200kg, have at least 100mm above the door for mounting and have **NO** closing system fitted in the frame, door or jamb. If Inward Opening, the Door Face must be flush to the header (not recessed). If Outward Opening, the reveal depth must be less than 300mm. If Outward opening, the depth of the door **MUST** be below 95mm (40mm without extender).

**ENSURE YOU FIT THE CORRECT ARM FOR THE DOOR YOU ARE AUTOMATING.**

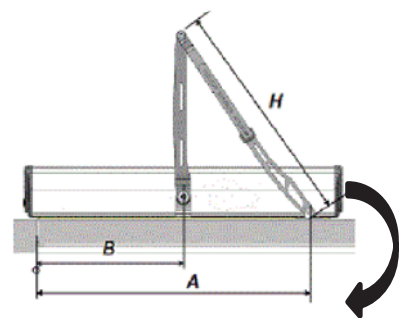
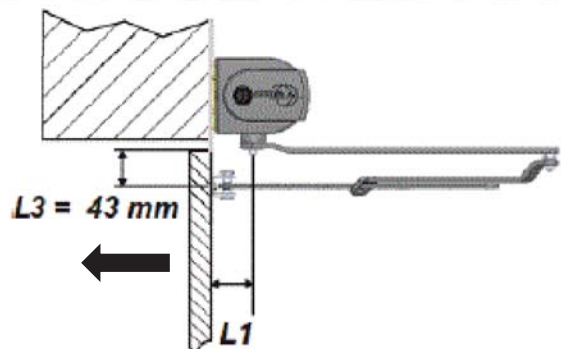
**PLEASE SEE PAGE 10/11 OF THE MANUAL FOR ORIENTATION OF THE OPERATOR TO ENSURE THE SPRING IS INSTALLED CORRECTLY.**

## SLIDING ARM



FOR INWARD OPENING

## ARTICULATED ARM



FOR OUTWARD OPENING

## QUICK START GUIDE FOR CDVI DWSR102U

### Initial Phase:

**- MAKE SURE ALL EXISTING CLOSING MECHANISMS HAVE BEEN REMOVED AND REPLACED WITH DUMMY UNITS IF NECESSARY.**

- Once the Digiway SR has been installed make sure the door can be opened and closed with completely free movement.
- Only connect Mains and either a RTE switch on T15 & T16 or use the radio remote (easier).
- Link terminals 5,6 & 7 together, connect mains and then the battery.

- Switch on power.

- Press and hold the centre button (OK Button) of the programming buttons located on the Digiway until the display appears.

- Navigate using the Up/Down buttons to "Tx Management"

- Press "OK" to enter menu.

- "ADD" will be displayed press "OK"

- Press the left-hand top button on the remote.

- Press "Escape" (Left button of the programming buttons)

- Navigate to "Exit" and press OK

- The Transmitter can now be used to program the Digiway remotely.

To gain access to the menu using the transmitter press "ESC" & "DOWN" together, the display will change to "Main Menu", you can then scroll through using the up and down buttons and OK to enter or set.

Digiway SR Easy Start Guide

### Pre Calibration:

- Check door has full free movement.

- Make sure any locking is completely released.

- Check the door travel area is free of any potential blockages.

- Assure no one can enter the area while calibration is in progress, set "DANGER TESTING PROGRESS" signs or similar.

- Set the external rocker switch to "0"

### Spring Preload:

- Make sure unit is set 'Free Mode' – rocker switch in centre position "0".

- Set up the Spring preload: enter the menus and navigate to the calibration menu.

- Enter the Spring preload menu and select 'Reset', now increase the preload to around 90° in the direction of the arrow and attempt to fit the arm to the drive shaft, if adjustment is required increase the rotation until the arm fits onto the drive pins.

- Save the setting but DO NOT ENTER DOOR LIMITS.

- Tighten the arm fixing bolt.

- Exit the menu and carry out a spring force test by open the door manually and releasing to make sure the door closes; it will shut hard as the motor is not controlling the closing force.

- If Ok proceed to 'Arm Type' and set to 'Articulated', if not repeat the spring preload phase until the door closes adequately.

### Calibration:

- Select 'Door Limits' from the menu set up.

- Press "OK" and follow the on-screen instructions to set the open/close limits.

- Note: Set open limit 10cm more than required.

- When finished "Thank You" will be displayed

- Press "Up", "Auto Calibration" will be displayed, press OK.

- Follow the on-screen prompts.

- Note: The door will open and close very quickly over 5 actuations.

- Once completed "Save will appear on the display, press Ok.

- Press scroll to exit and press ok.

- Set external rocker switch to "1"

- Carry out a full cycle without interruption, on completion the LP LED (on the end cap) will be green and an upper and lower case I will appear on screen 'il'.

Individual settings can now be entered using the "Main Settings" menu, Fine tuning of the door motion can then be completed via the "Advanced Settings" menu. Please refer to the manual.