



A very cost effective electromagnetic lock which is typically for use on internal doors

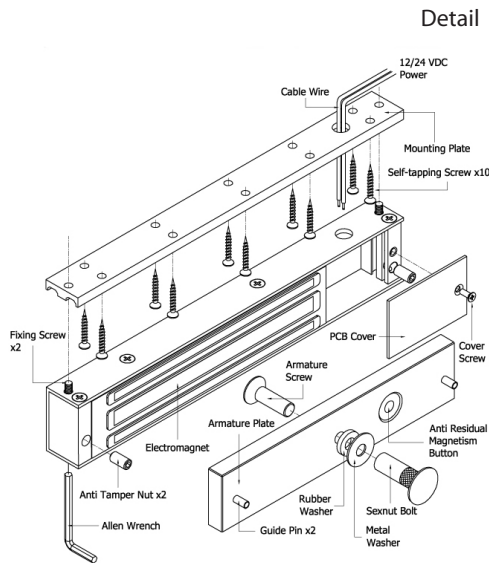
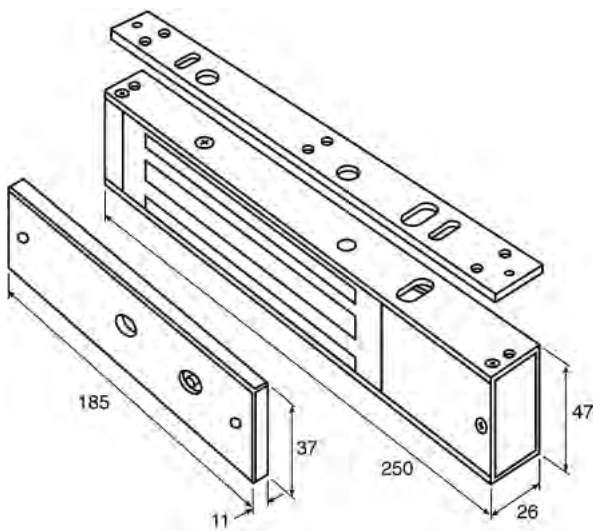
Specification:

Single / Double Maglock - slimline / mini format
 Available Monitored, UnMonitored and/or with Door Status contacts
 Holding Force: Up to 600lbs (272Kg) per lock
 Single Dimensions: (L) 250, (W) 47, (D) 26mm | Current: 500mA@12vDC | 250mA@24vDC
 Double Dimensions: (L) 500, (W) 47, (D) 26mm | Current: 1A@12vDC | 500mA@24vDC



Drawings / Expanded views

Dimensions (single)



Detail
Z&L
Brackets

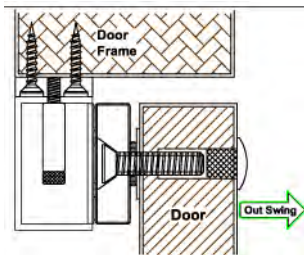


Double
Maglock



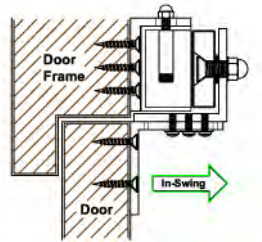
Installation variations & brackets

Normal Installation (Outward opening)



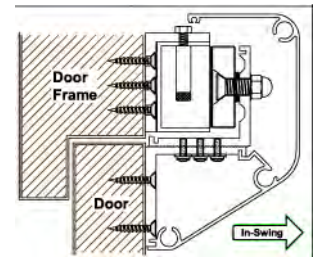
Installation variations & brackets

Z & L Bracket (Inward opening)



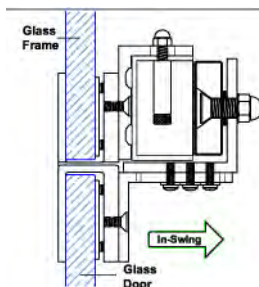
Installation variations & brackets

Z & L Bracket (Inward opening) with cover



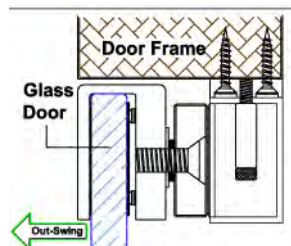
Installation variations & brackets

U Bracket Set (Inward opening)
Glass frame & Glass Door



Installation variations & brackets

GBD Bracket (outward opening)
Glass Door



Installation variations & brackets

L Bracket (Outward opening)

