

New JWS Disabled Persons Toilet System (DPTSG6)

Supply Voltage 8-30Vdc

Switches voltage is the same as supply voltage

Lock voltage is the same as supply voltage

Operator relay contacts are volt free (Open going Closed)

Aux Relay contacts are volt free and follow the 'Vacant/Engaged' sequence

YOU MUST CONNECT THE DOOR STATUS TERMINALS or A DOOR CONTACT FOR PROPER OPERATION

Solid LED indicates the system is 'Vacant'

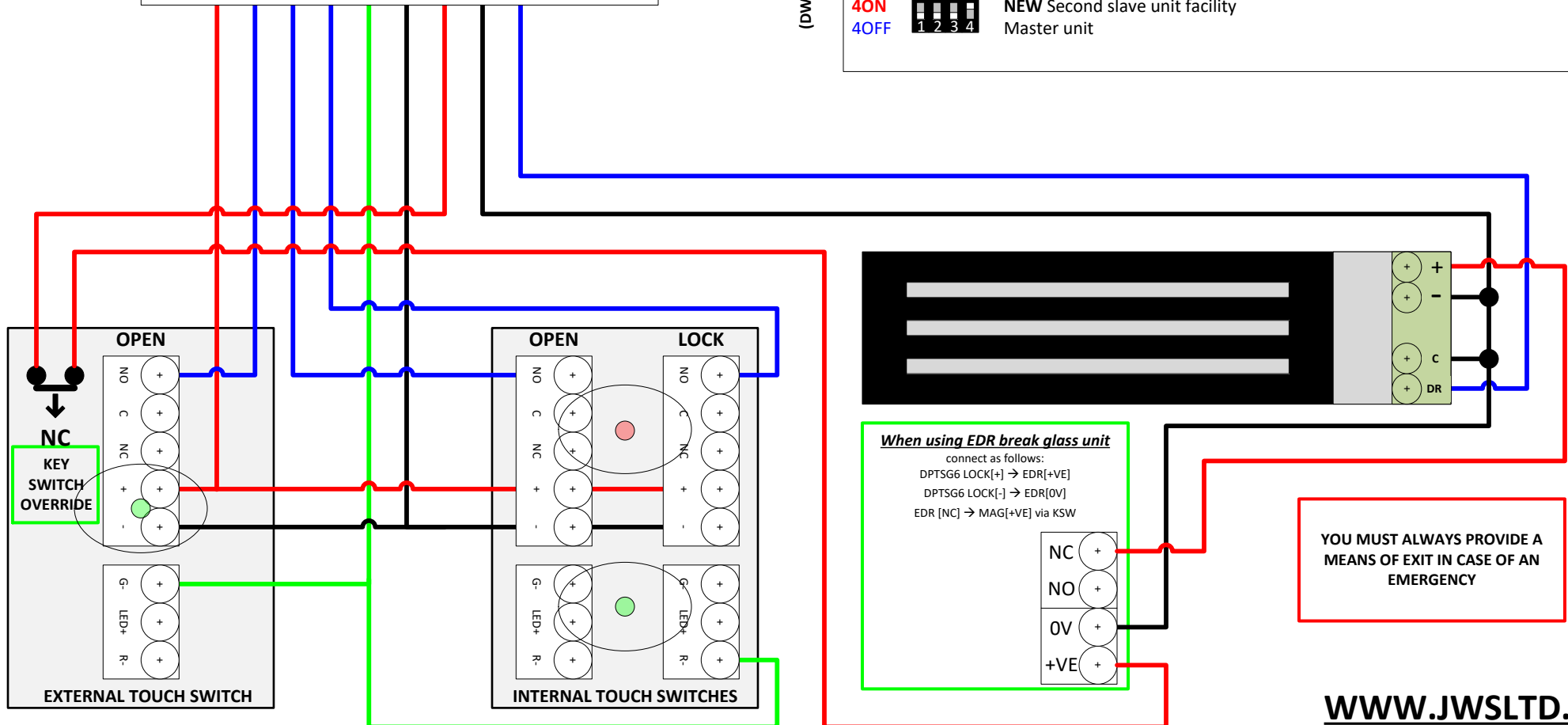
Slow flashing LED indicated the system is 'Engaged'

Fast flashing LED indicates lock circuit has been interrupted (possibly by emergency over ride)

SW 1 configuration switch

- 1ON** **NEW** secure always locked facility
- 1OFF** Unlocked 'Classic' facility
- 2ON** **NEW** Operator (e.g. slider) control of the lock
- 2OFF** DPTSG6 control of the lock
- 3ON** **NEW** Impulse latch (operator impulse hold for 60sec (entry), 15sec (exit) unless reset)
- 3OFF** 2 second operator impulse
- 4ON** **NEW** Second slave unit facility
- 4OFF** Master unit

OPERATOR
VOLT FREE OPERATOR IMPULSE
(DWPS102U terminal connections 15 and 16).



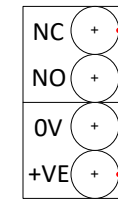
When using EDR break glass unit

connect as follows:

DPTSG6 LOCK[+] → EDR[+VE]

DPTSG6 LOCK[-] → EDR[OV]

EDR [NC] → MAG[+VE] via KSW



YOU MUST ALWAYS PROVIDE A MEANS OF EXIT IN CASE OF AN EMERGENCY