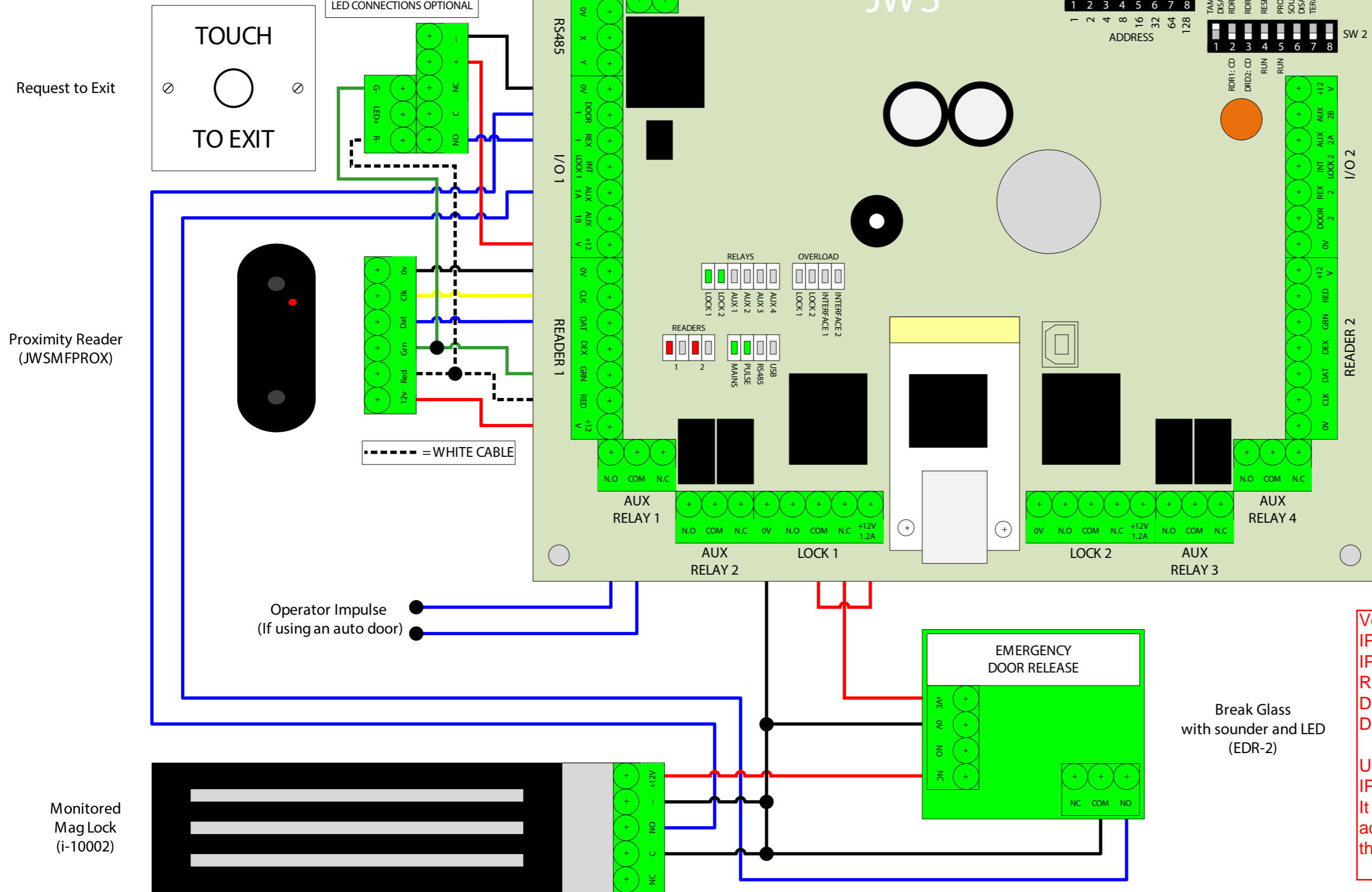


DOOR A

DOOR B



Version: 10.0.7
 IP Address: D.H.C.P
 IP Fail over: 192.168.5.45 or 192.168.5.50
 Recommended Browser: Chrome
 Default User Name: Administrator1
 Default Password: Administrator1

Use NavIP Discovery Utility to find your Navigator IP Door Controllers on your network if DHCP. It is recommended that you assign a Static IP address to your Navigator IP Door Controllers - this is done via the NavIP Discovery Utility.