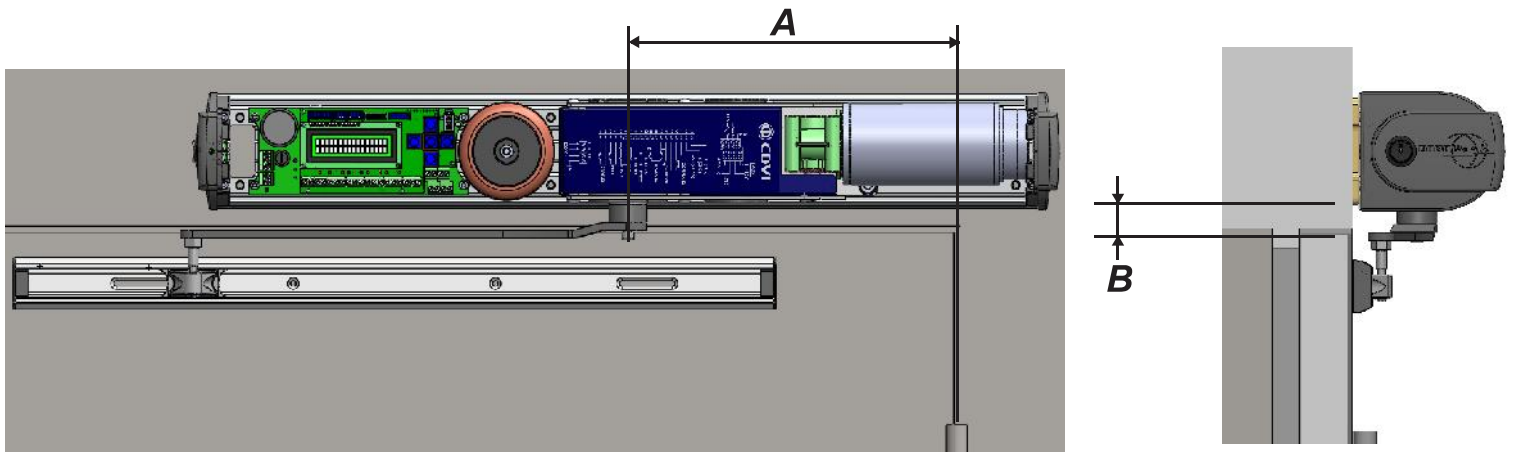


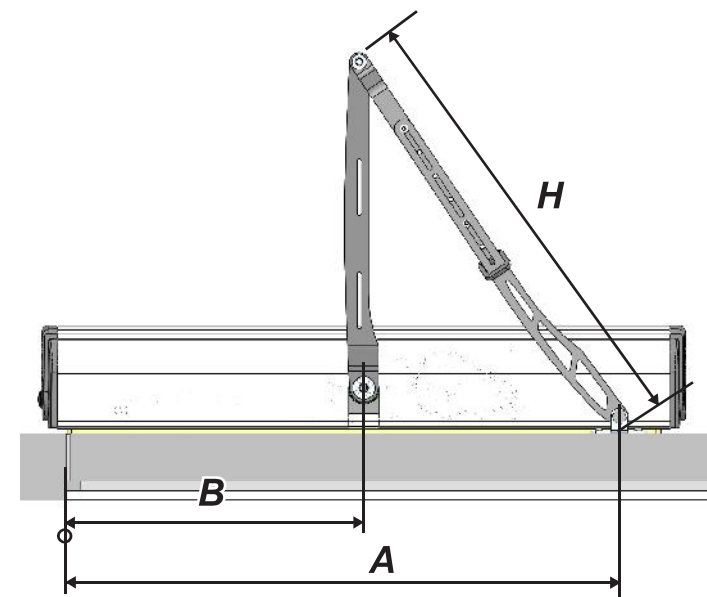
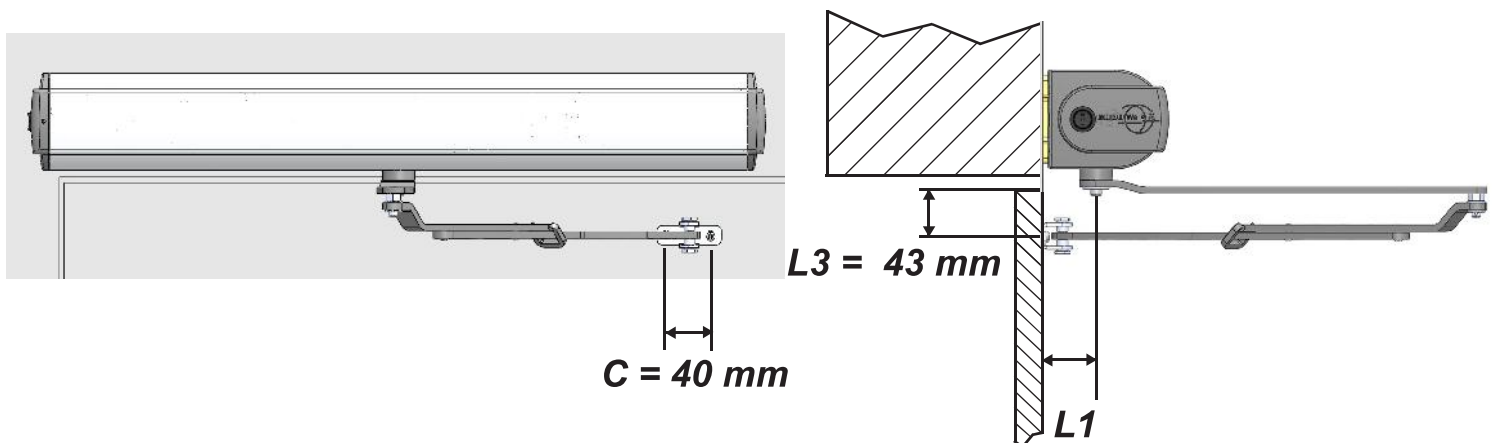
DIGIWAY-SR

Mechanical installation: sliding arm version



Parameter	Value (mm)	Description
A	280	Door hinge – motor axis distance
B	35	Backplate – guide distance

Mechanical installation: articulated arm version



Parameters calculated for opening angle $\geq 100^\circ$

Param.	Description
A	Door hinge – door bracket distance
B	Door hinge – motor axis distance
C	Door bracket hole centres.
L1	Distance motor axis - door
L3	Distance motor shaft-door bracket
H	Length of the adjustable forearm

B = 330 mm		
L1	A	H
300	540	600
270	500	570
240	500	570
210	500	540
180	500	520
150	460	460
120	460	450
90	500	430